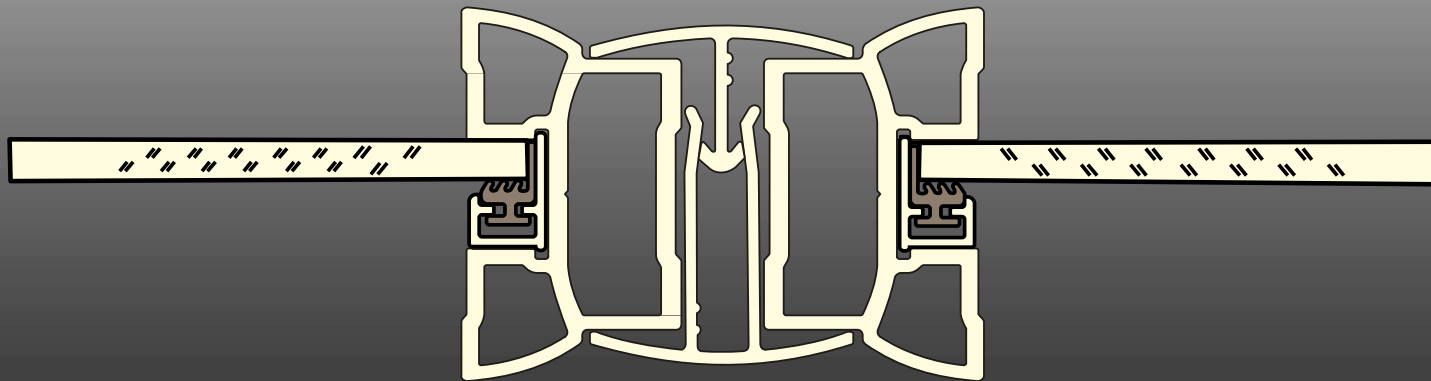


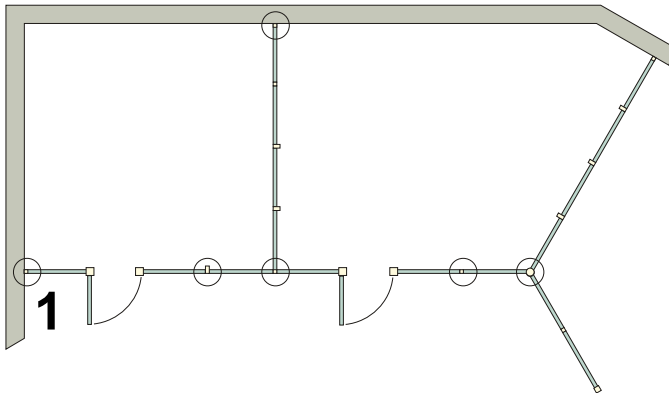
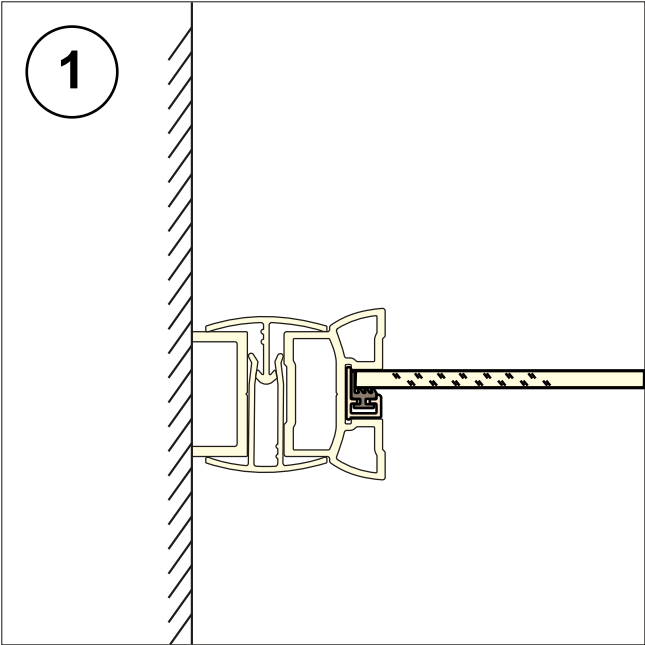


THE AURORA PARTITION-WALL SYSTEM, the 31 SERIES

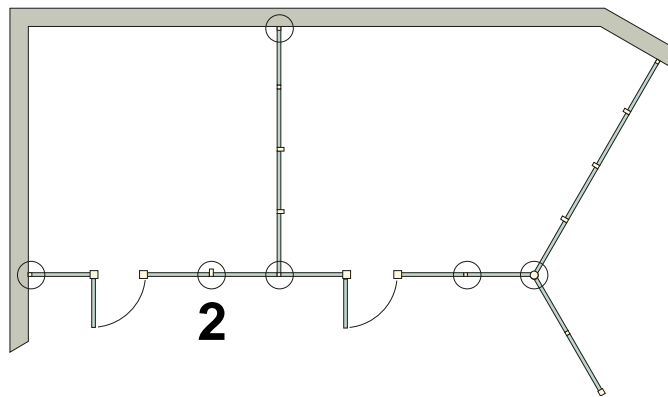
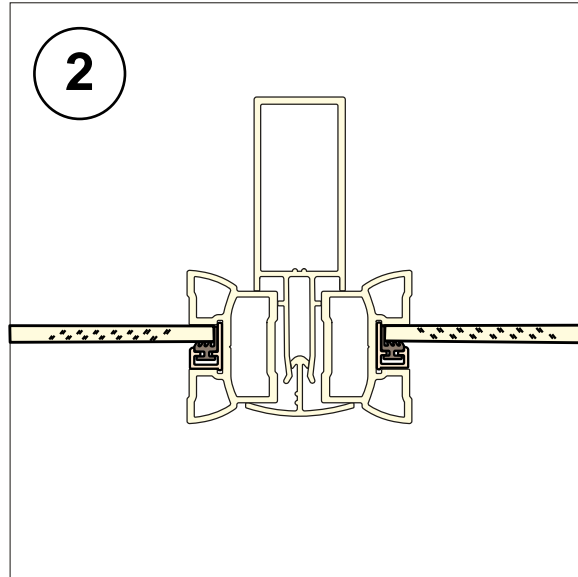
TECHNICAL DETAILS



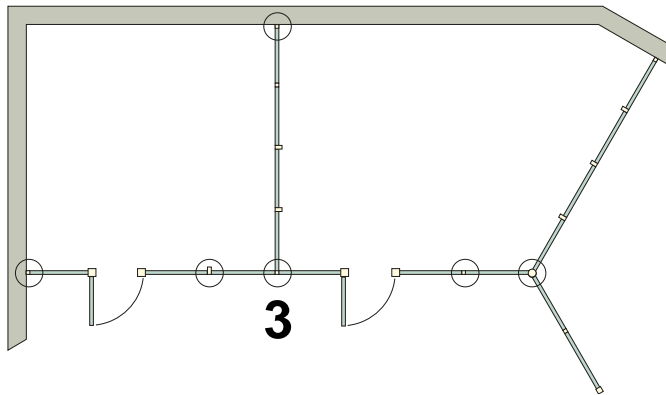
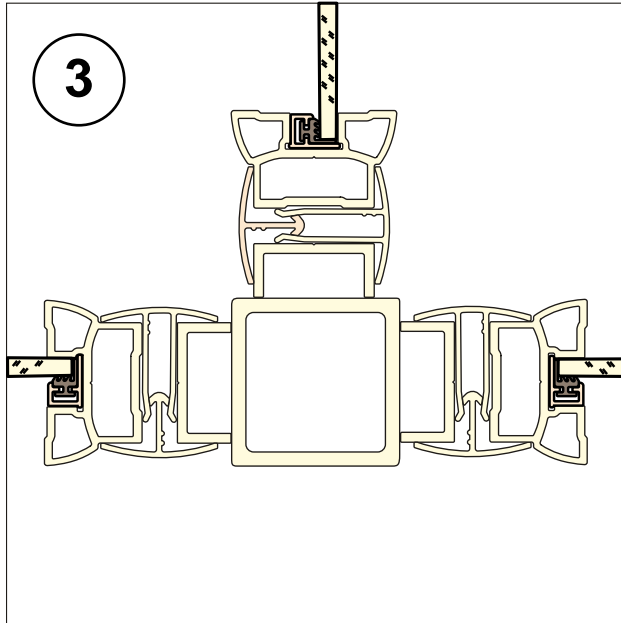
1. The connection of a single panel with the wall



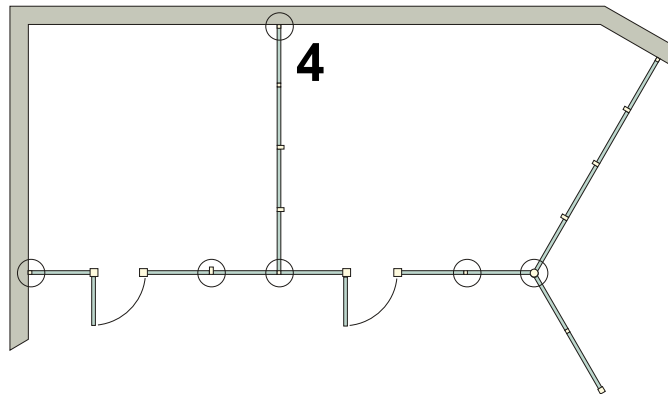
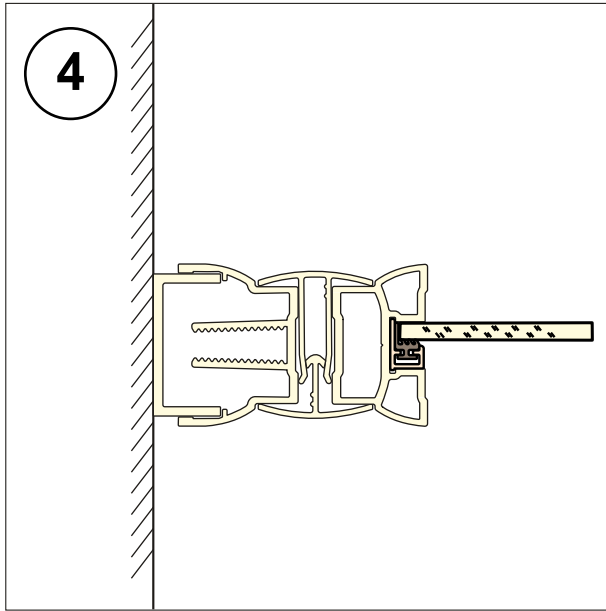
2. Series connection of two panels with a joining profile which increases the stiffness of the wall.



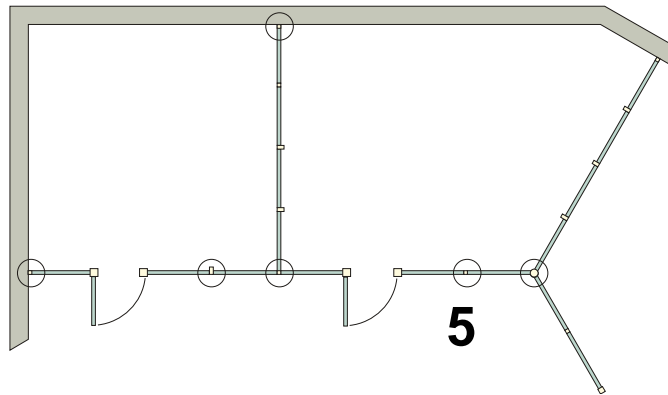
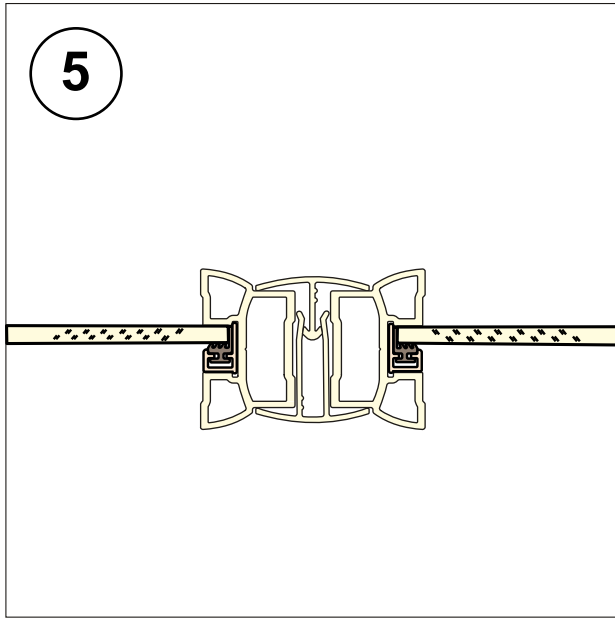
3. The combination of connecting three panels at an angle of 90° to a 35x35 mm square pillar.



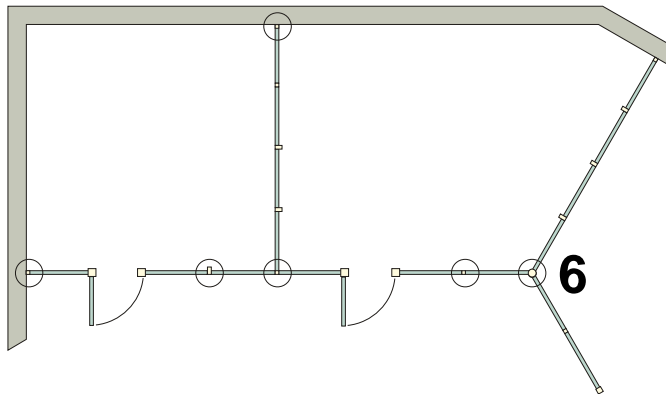
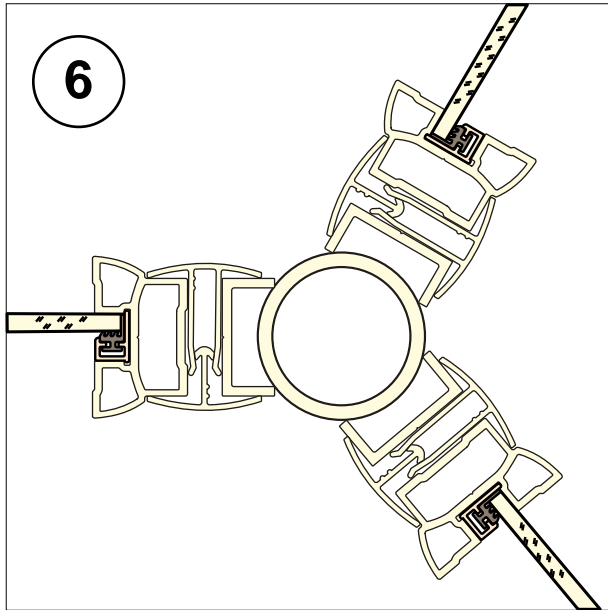
4. The connection of the panel to the wall in the case of inequalities.



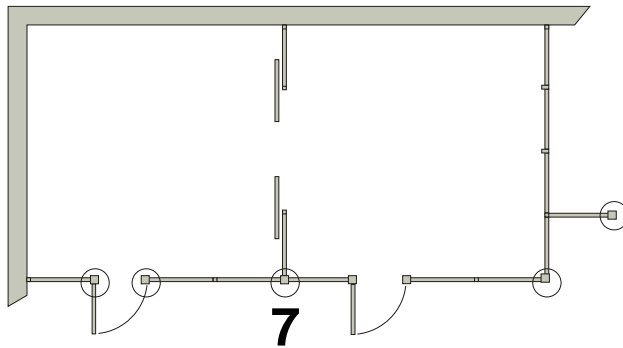
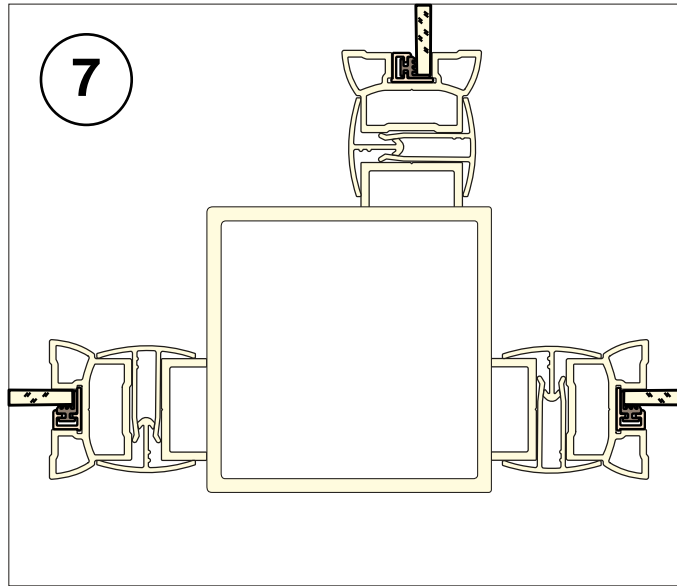
5. Series connection of two panels by using the fastening profiles.



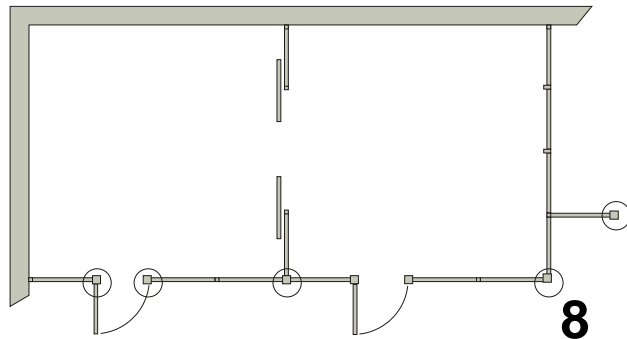
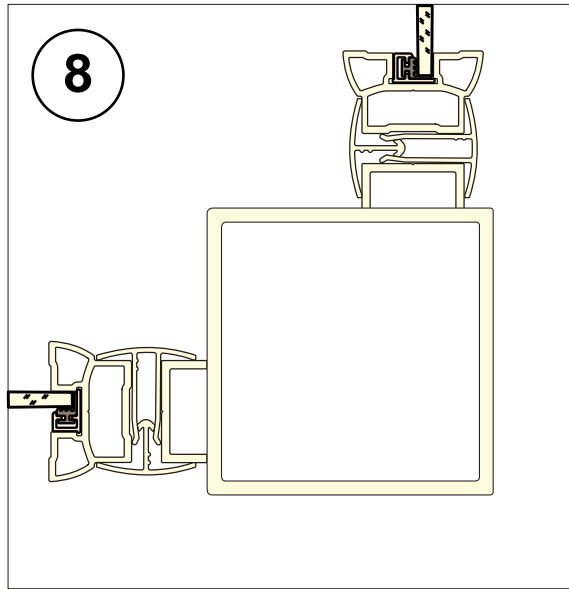
6. The combination of connecting three panels to the pipe at an angle of 120°.



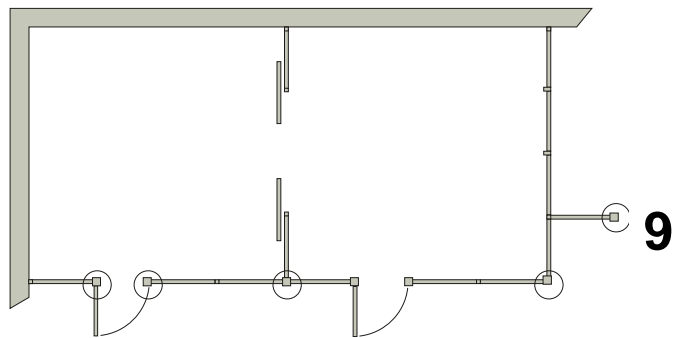
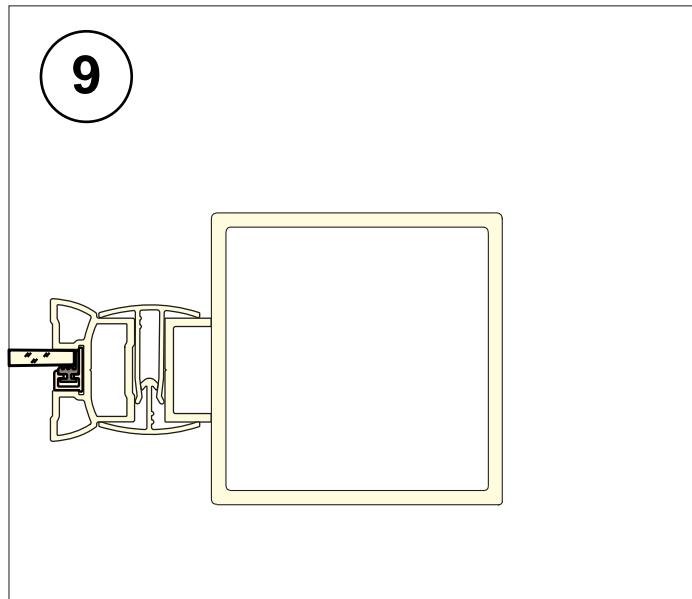
7. The connection of three panels to a 75x75mm pillar.



8. Connecting wall panels at an angle of 90° to a 75x75mm pillar.



9. Ending the wall with a 75x75 mm square pillar.



The End of PRESENTATION

